

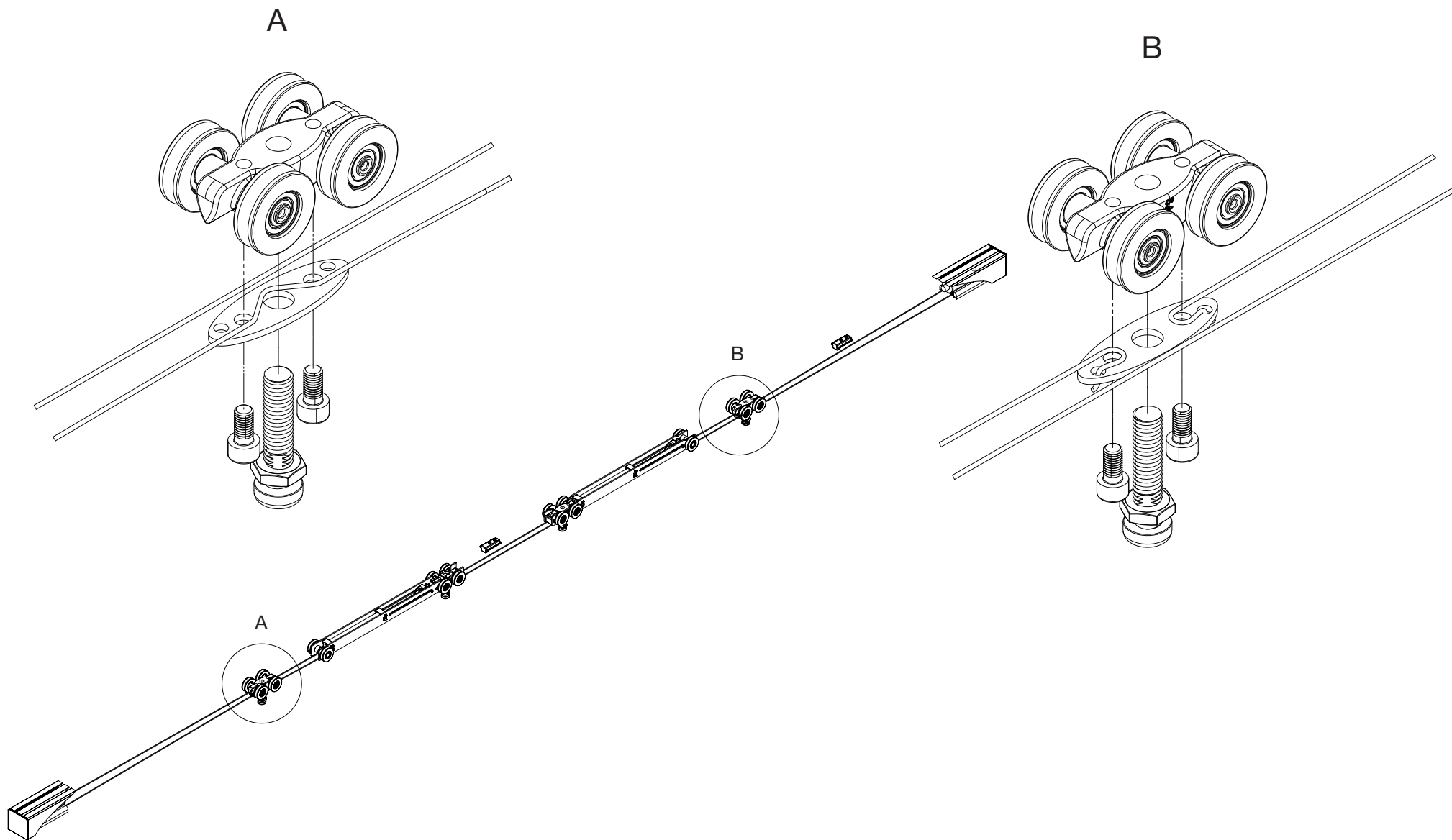
SAGA SYNCRO DUO ASSEMBLY INSTRUCTIONS

With preassembled kit (with track):

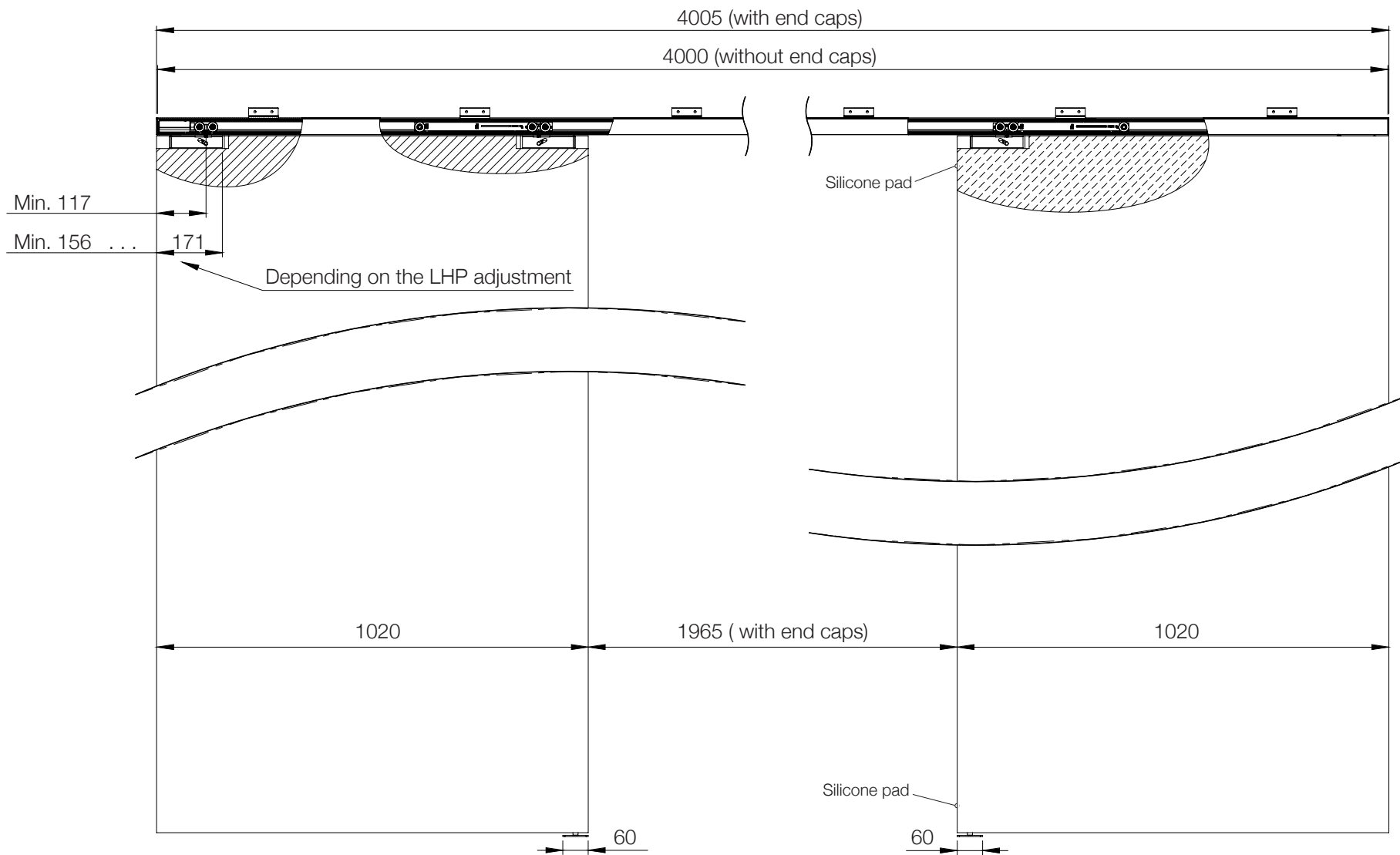
- 1) Check the measurements of the doors and plates. (Page 3 and 4)
- 2) If you drill the holes in the track (ceiling mounting), remove all components from the track before drilling to avoid aluminium debris to get in the bearings and clean the track carefully after drilling.
- 3) Move one of the stops if necessary.
- 4) Open the M5 bolts in the hanger marked with B in the page 2.
- 5) Pull the strings so that hangers A and B touch the stops at the same time. After that tighten the M5 bolts.
- 6) When sure about functionality and measures, cut the loose wire ends so that there is no contact between the wire end and the track.
- 7) Move the softclose trigger pins if necessary (the stop positions of the doors). Don't over-tighten.
- 8) Use the M10 threaded rod to adjust the wire tension, use only fingers don't use wrench. (Page 5)
- 9) Now mount the track, bottom guide and the doors.
- 10) Check functionality and adjust the softclose trigger pins when necessary.
- 11) Mount the silicone pads on one door so that no contact between doors occurs (one in upper end of the door and one in the bottom end of the door). (Page 3)

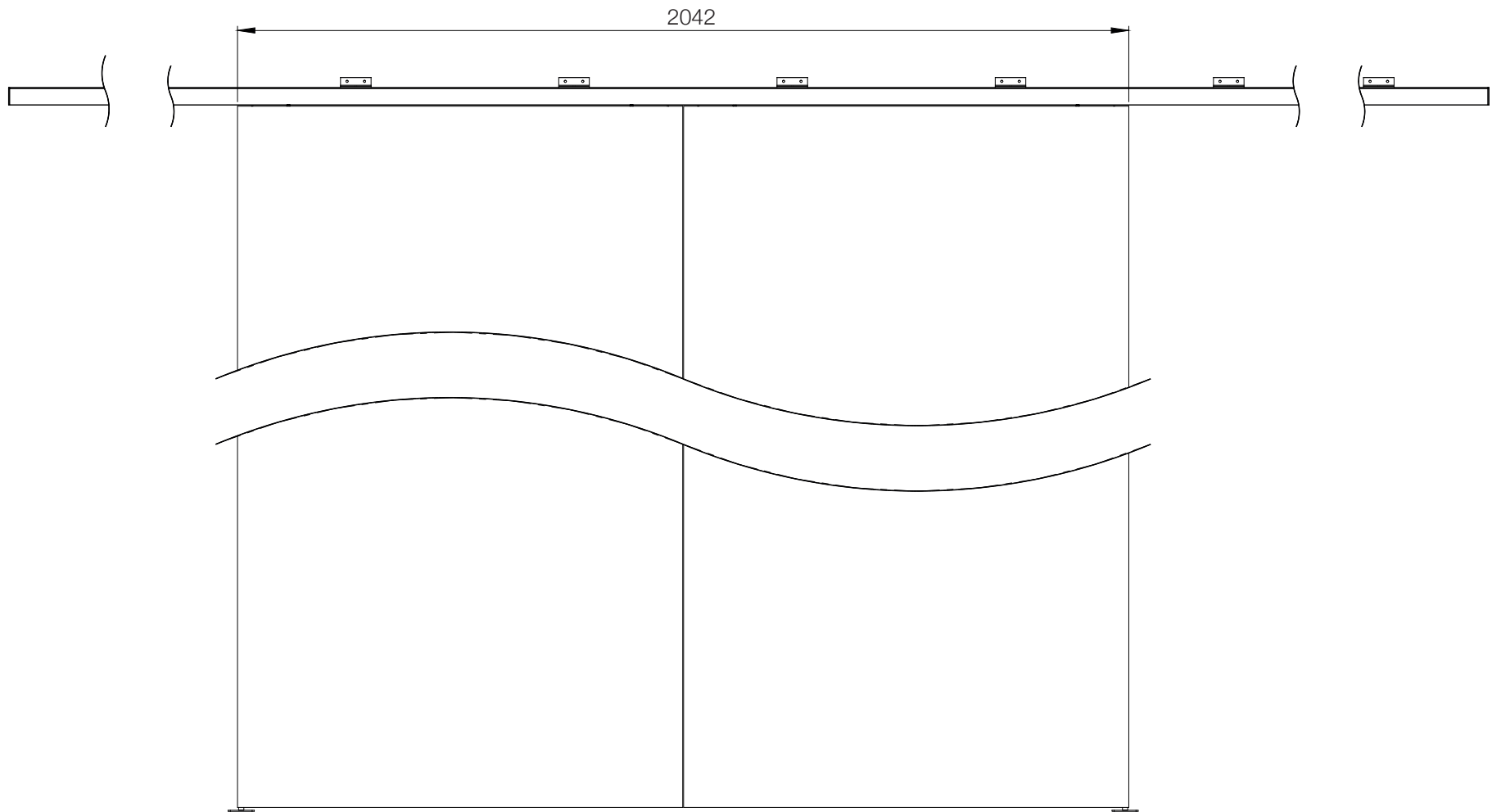
With DIY kit (without track):

- 1) Cut the track to correct length. Clean the track carefully after cutting.
- 2) If you drill the holes in the track (ceiling mounting), remove all components from the track before drilling to avoid aluminium debris to get in the bearings and clean the track carefully after drilling.
- 3) Slip all the gears inside the track in correct order (Page 2). Note! Only one stopper has threads for fine tuning the wire tension, so make sure that you will later have access to adjust this stopper with the M10 threaded rod. (Page 5)
- 4) Check the measurements of the doors and plates. (Page 3 and 4)
- 5) Move one of the stops if necessary.
- 6) Open the M5 bolts in the hanger marked with B in the page 2.
- 7) Pull the strings so that hangers A and B touch the stops at the same time. Tighten the M5 bolts
- 8) When sure about functionality and measures, cut the loose wire ends so that there is no contact between the wire end and the track
- 9) Move the softclose trigger pins if necessary (the stop positions of the doors). Don't over-tighten.
- 10) Use the M10 threaded rod to adjust the wire tension, use only fingers don't use wrench. (Page 5)
- 11) Mount the track, the bottom guide and the doors.
- 15) Check functionality and adjust the softclose trigger pins when necessary.
- 11) Mount the silicone pads on one door so that no contact between doors occurs (one in upper end of the door and one in the bottom end of the door). (Page 3)



SAGA





SAGA

M10 threaded rod

