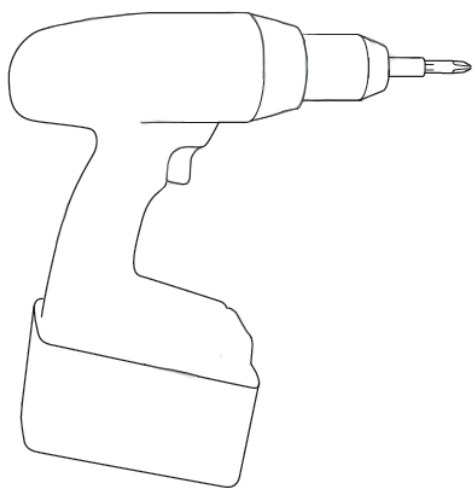


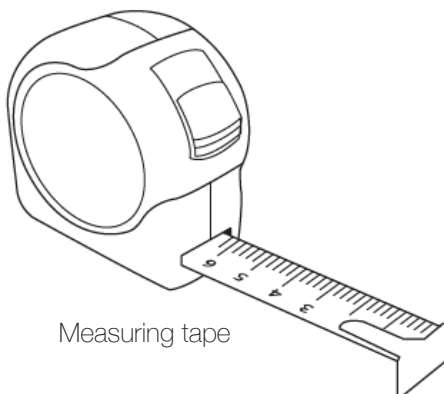
With these instructions, we will guide you step by step on how to install the 75 Flow sliding door system with a standard sliding door.

Before installing the sliding door, make sure that the wall and the floor around the doorway area are straight. At the same time make sure that there are support beams inside the wall, so that the wall brackets can be firmly attached to the wall. To find out where the support beams are located inside the wall, you can use wall scanner. If you cannot attach all the support screws to the support beams, use screw plugs to ensure that the screw remains in the wall.

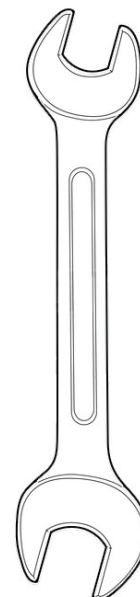
Tools required for installation:



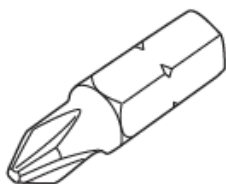
Screwdriver / drill



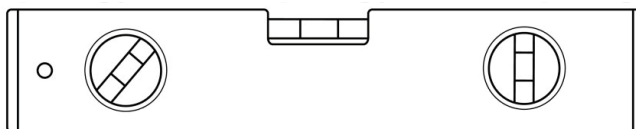
Measuring tape



Thin wrench
size 13



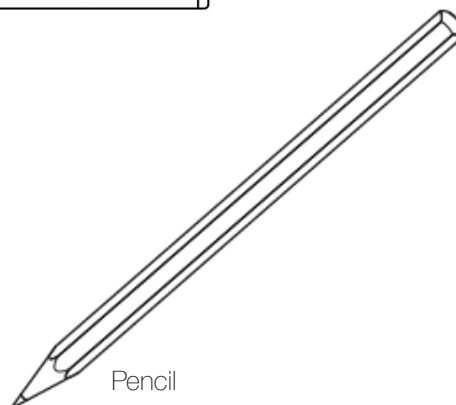
Crosshead -screw tip



Level



Hex key
sizes 3 mm and 4 mm



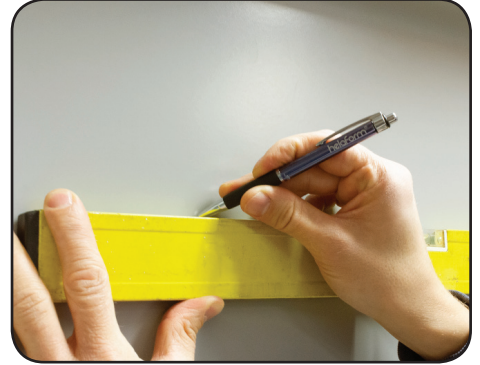
Pencil

1. Measure and mark the fixing height of the Track

The installation height is calculated as follows: Door height + 85 mm.
This leaves a 12 mm gap between the floor and the door.

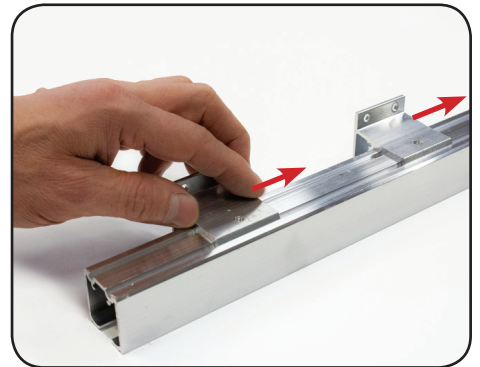
You can lower the door by approximately 7 mm with the hanger bolts after installation. *Note! Make sure that the hanger bolt is screwed all the way into the hanger body.*

After marking one point, draw a horizontal line on the wall using the spirit level along the entire track. This is how you mark the horizontal locations of the screws for each bracket.



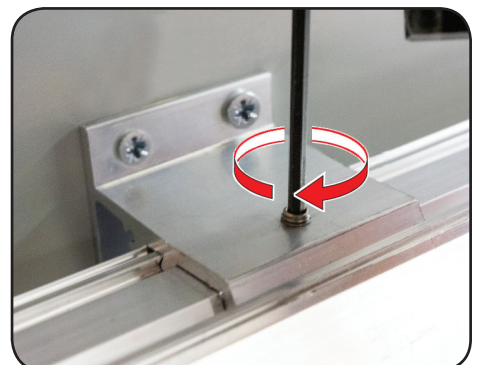
2. Slide the Wall brackets to the track

Slide the bracket lightly from the center so that it slides straight and effortlessly along the groove. Do not use force to prevent the bracket from “clipping”.



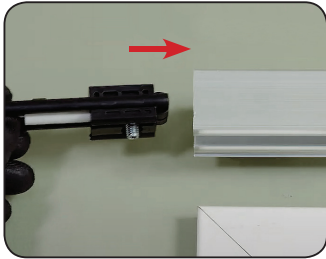
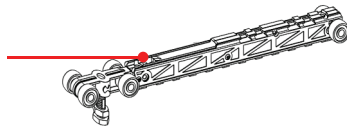
3. Mount the Brackets and the Track to the wall and finally tighten the clamping screws on the Brackets

If you are working alone, first tighten the center bracket to the wall with one screw so you can easily support the track when mounting the other brackets.

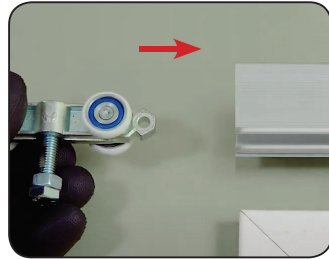


4. Slide the parts in to the track. When inserting from the left end, parts come in the following order:

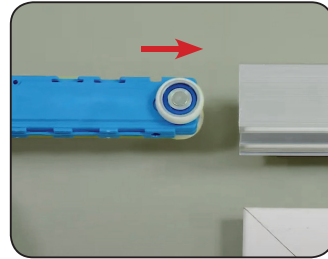
1. Soft stop SS-75
2. Hanger MP-75
3. Soft close OH-75 (NOTE! Make sure that the trigger is activated)
4. Set-up pin



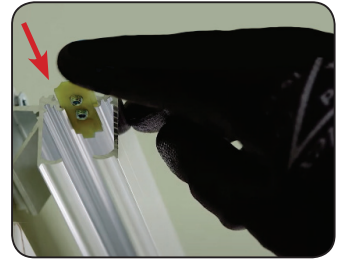
1



2



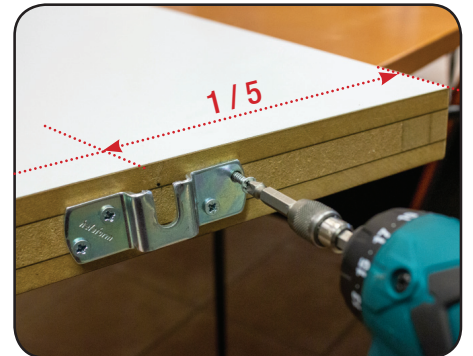
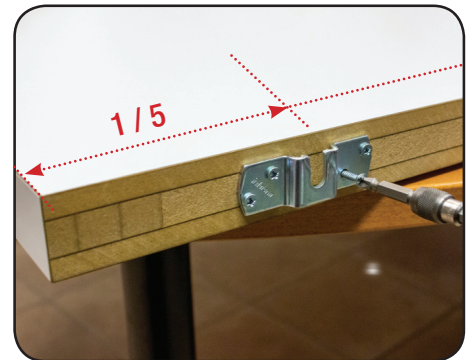
3



4

5. Attach the Plates to the door

Attach the plates to the door 1/5 of the door's width from the edge so that the slots of the bolts face the wall.



6. Lift the door to its place

Adjust the height and position of the door by turning the hanger bolts. Tighten the nuts on to the plates.



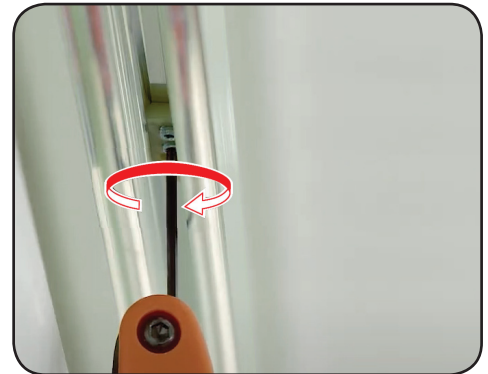
7. Install the Bottom guide

Position and mark the place of the bottom guide so that it is completely hidden when the door is at the "open" end. Slide the door out of the way and screw the bottom guide to the floor. The bottom guide should remain in the guiding groove throughout the entire movement of the door.



8. Adjust the set-up pin

The set-up pin determines where the Soft close trigger set off and thus stops the door at the right place. Tighten the screws with moderate torque. Check the door at the closed position and adjust the set-up pin if necessary.



9. Tighten the soft stop into its place

Move the soft stop to where you want the door to stop at the open position and tighten. The best way to tighten the soft stop with one hand is to push the stopper to the ceiling of the track while tightening it.



10. Finally install the end caps

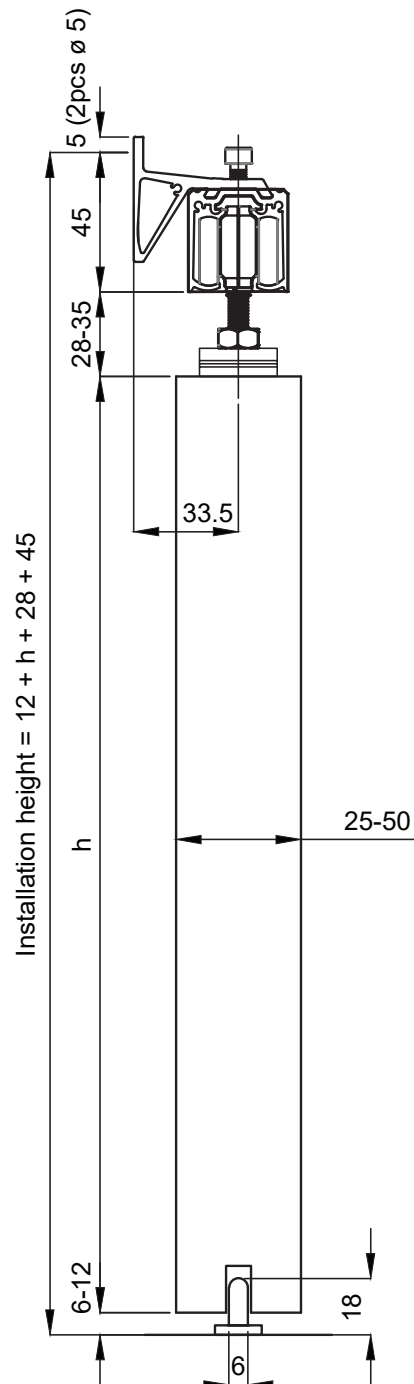
Note! You can finish the system by covering the track with Helaform Cover plate or by enclosing it yourself.



You can also find a **installation video** of the 75 Flow fittings set on the Helaform website in the Material bank or from Helaform's Youtube channel.

Scale image

SKX-bracket



* With 12 mm baseboard the door thickness can be max. 40 mm (by using SKX-brackets)